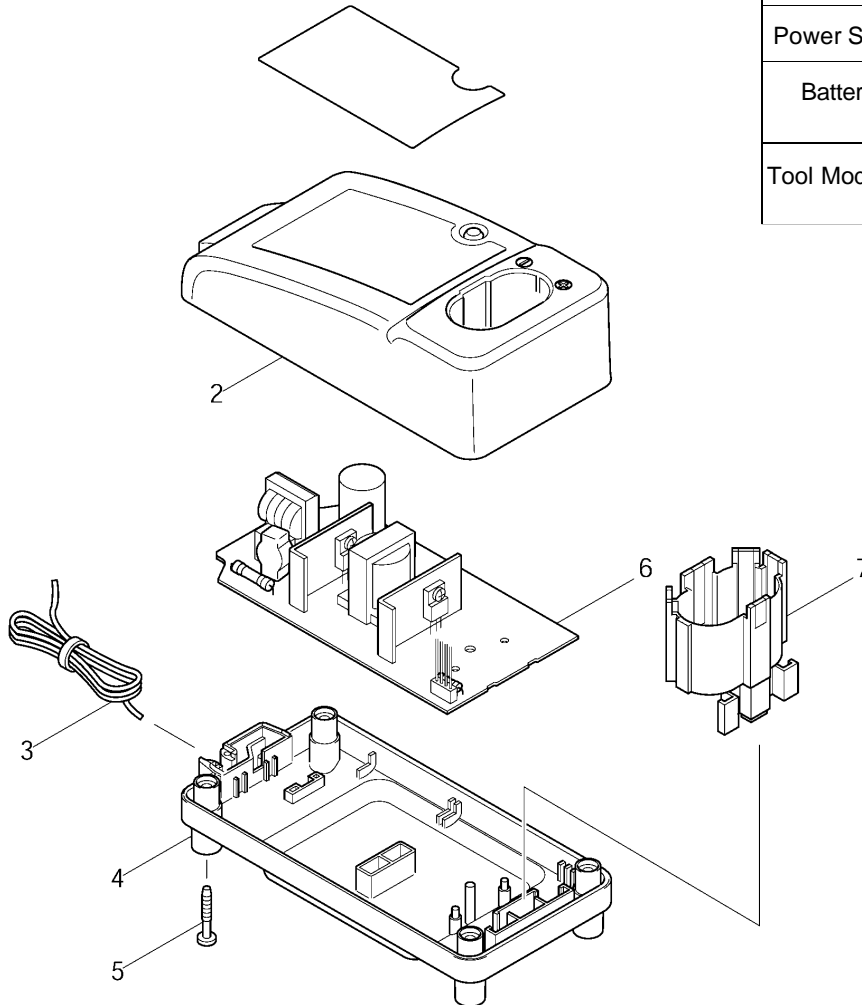




CHARGER For 7.2V ~ 18V Ni-Cad & Ni-MH 1.3 ~ 3.0AH Batteries Model DC1804 (MJ)

Model No.	DC1804
Part No.	DC1804
Power Source	A.C. Only 115V
Batteries	For 7.2V ~ 18 V, 1.3Ah ~ 3.0Ah Ni-Cad or Ni-MH Batteries
Tool Model No.	All 7.2V ~ 18V Cartridge Battery Tool Models



Item No.	Part No.	No. Used	Description
2	153714-1	1	Charger Case Com
3	667982-5	1	Cord With Plug 2P-18-2.0
4	418339-1	1	Charger Case Cover
5	265999-8	4	Tapping Screw 4X25
6	631567-3	1	Circuit Board [Includes 647321-5 - Varistor, 652727-4 - Fuse (3.15A) & 652763-0 - Fuse (5A)]
7	418392-7	1	Battery Box